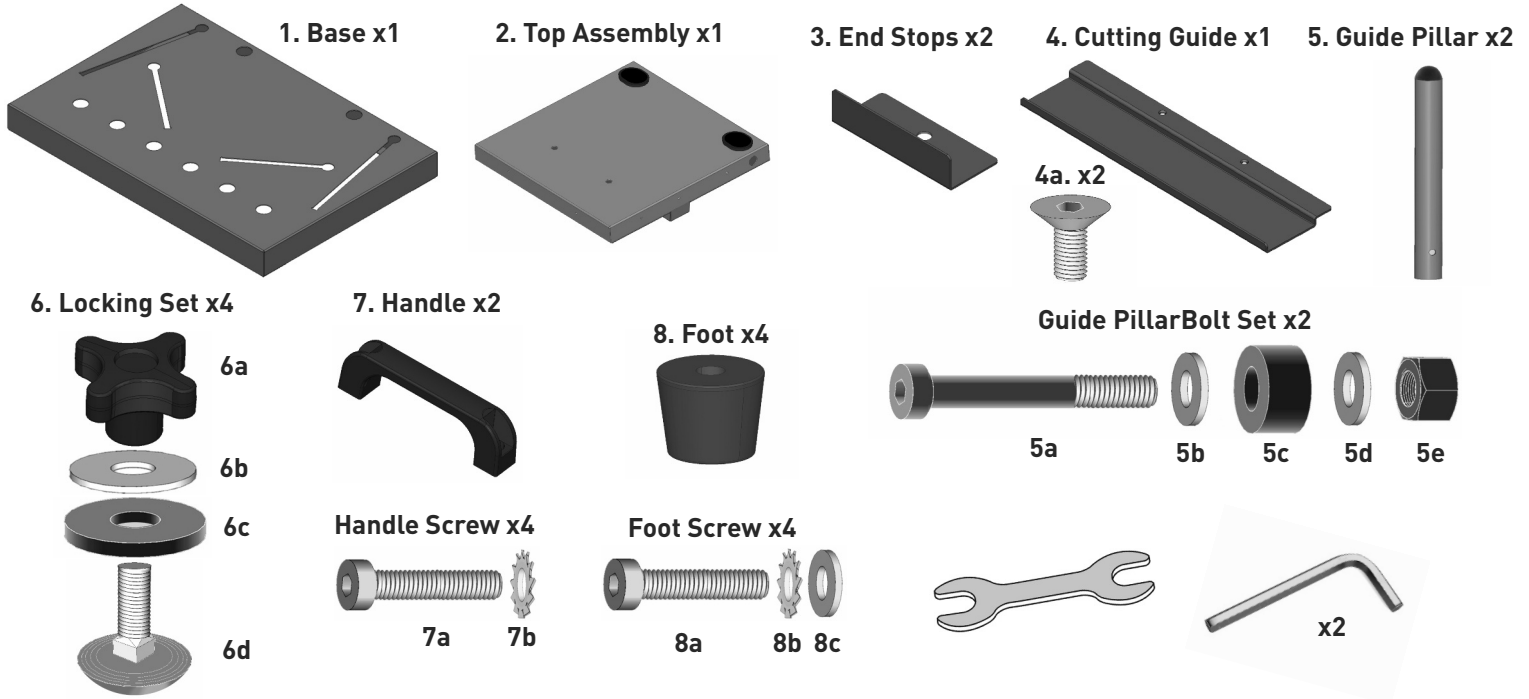




# Assembly Guide

## In the Box

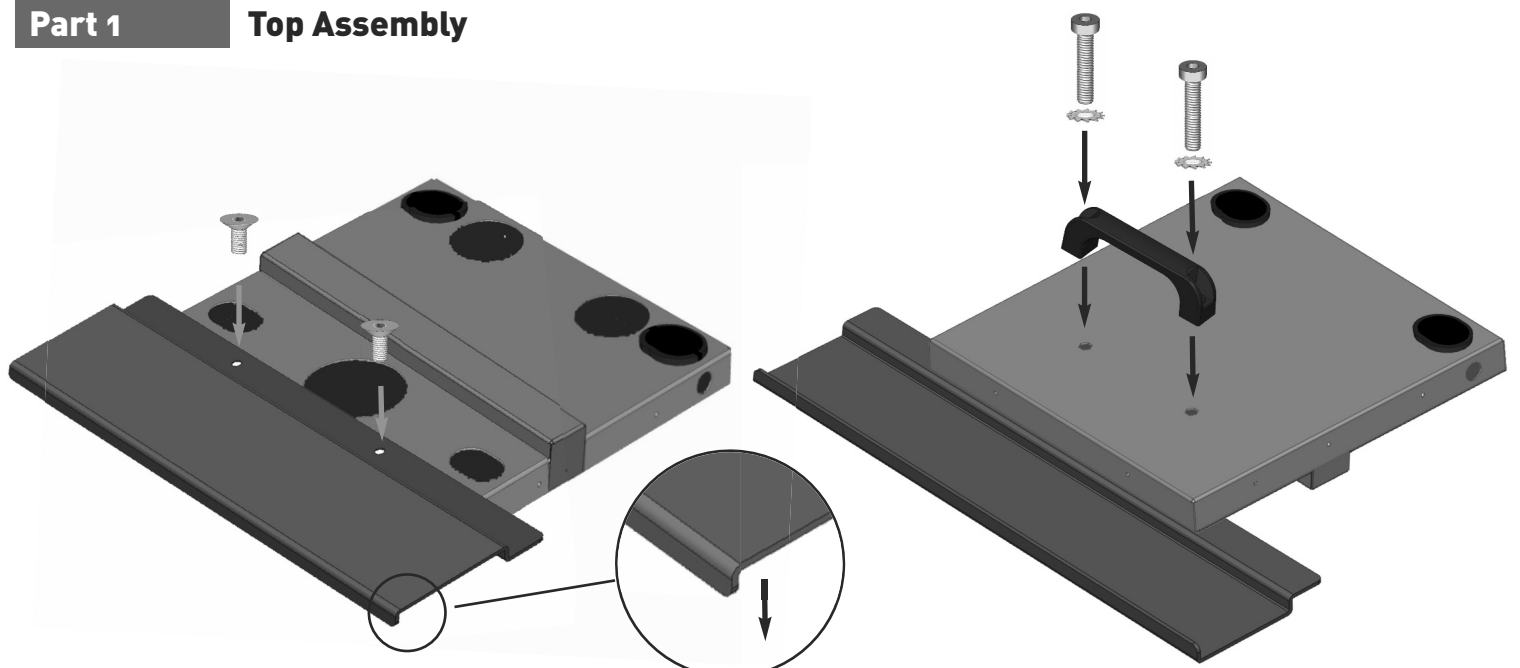
The Roof Tile Jig comes in a cardboard box to protect it in transport and before assembly. The box contains all the parts needed to assemble the complete Roof Tile Jig.



The Assembly Instructions below are step by step. Tools are provided to assist in completing assembly of the Jig. Discard all packaging responsibly and re-cycle where ever possible.

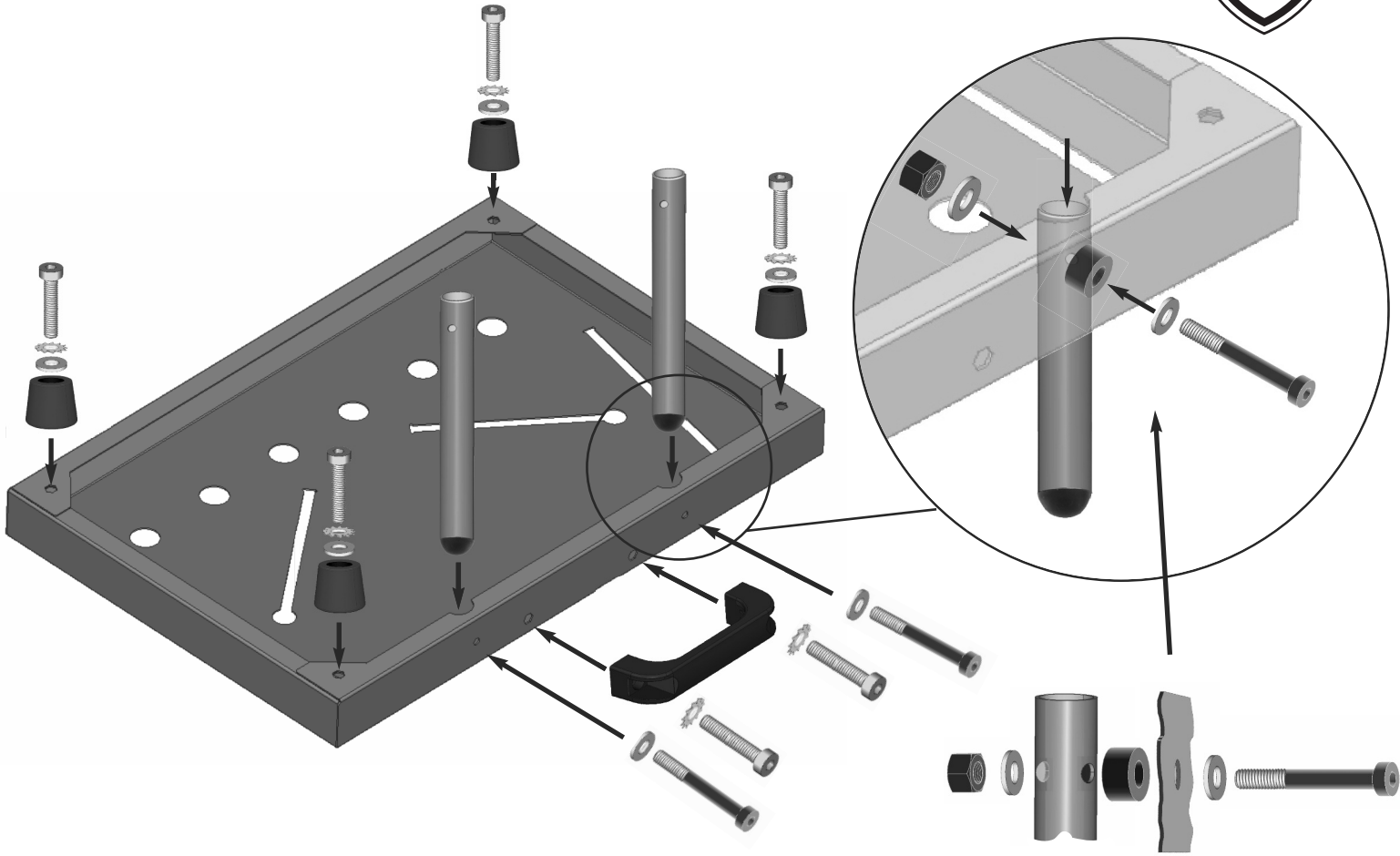
Once assembled, the Roof Tile Jig does not need to be dis-assembled after each use or for transport or storage.

## Part 1 Top Assembly





**Part 2** Jig Base and Guide Pillars



**Part 3** Endstops

